



ISO 9001:2008 Certified

## PIONEER ENTERPRISE

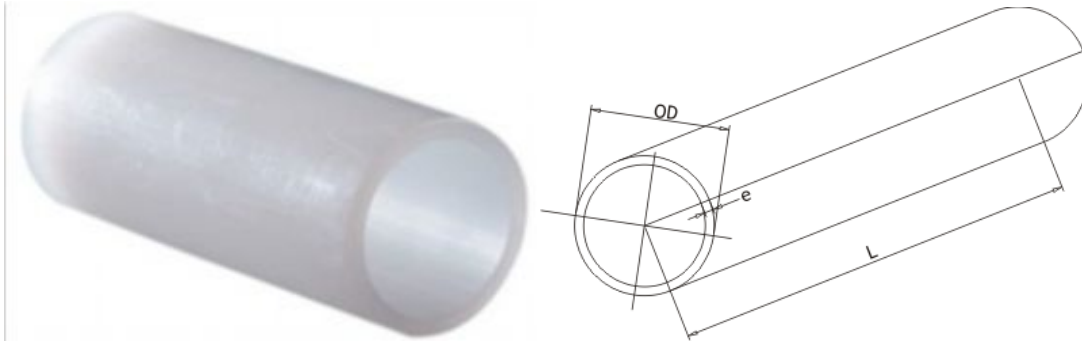
101, Raudat Tahera Street, Mumbai - 400 003, India.

Tel : (91-22) 2347 2534 Telefax : (91-22) 2347 0325

E-mail: [pionlace@vsnl.com](mailto:pionlace@vsnl.com), [pioneerfitting@yahoo.com](mailto:pioneerfitting@yahoo.com)

Website: [www.instrumentation-fittings.com](http://www.instrumentation-fittings.com)

### Pipes PVDF



#### PN -10

Size (NB)	THICKNESS	LENGTH
OD	e	L
63 MM	2	5000
75 MM	2.3	5000
90 MM	2.8	5000
110 MM	3.4	5000
125 MM	3.9	5000
140 MM	4.3	5000
160 MM	4.9	5000
180 MM	5.5	5000
200 MM	6.2	5000
225 MM	6.9	5000

#### PN -16

Size (NB)	THICKNESS	LENGTH
OD	e	L
15 MM	1.9	5000
20 MM	1.9	5000
25 MM	1.9	5000
32 MM	2.4	5000
40 MM	2.4	5000
50 MM	3	5000
63 MM	3	5000
75 MM	3.6	5000
90 MM	4.3	5000
110 MM	5.3	5000
125 MM	6	5000
140 MM	6.7	5000
160 MM	7.7	5000



ISO 9001:2008 Certified

## PIONEER ENTERPRISE

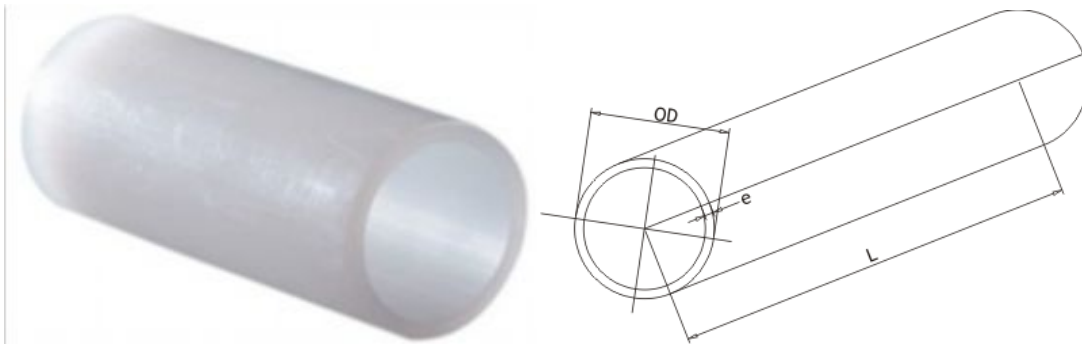
101, Raudat Tahera Street, Mumbai - 400 003, India.

Tel : (91-22) 2347 2534 Telefax : (91-22) 2347 0325

E-mail: [pionlace@vsnl.com](mailto:pionlace@vsnl.com), [pioneerfitting@yahoo.com](mailto:pioneerfitting@yahoo.com)

Website: [www.instrumentation-fittings.com](http://www.instrumentation-fittings.com)

### PP / ISO.PP Pipes Manufactured as per DIN 8007



Size DN	Wall Series NORMAL PRESSURES			
	PN 2.5	PN 4	PN 6	PN 10
OD	e mm	e mm	e mm	e mm
20 MM			1.8	2.5
25 MM			1.8	2.7
32 MM			2	3
40 MM			2.3	3.7
50 MM	1.8	2	2.9	4.6
63 MM	1.8	2.5	3.6	5.8
75 MM	1.9	2.9	4.3	6.9
90 MM	2.2	3.5	5.1	8.2
110 MM	2.7	4.3	6.3	10
125 MM	3.1	4.9	7.1	11.4
140 MM	3.5	5.4	8	12.8
160 MM	3.9	6.2	9.1	14.6
180 MM	4.4	7	10.2	16.4
200 MM	4.9	7.7	11.4	18.2
225 MM	5.5	8.7	12.8	20.5
250 MM	6.1	9.7	14.2	22.8
280 MM	6.9	10.8	15.9	25.5
315 MM	7.7	12.2	17.9	28.7



ISO 9001:2008 Certified

## PIONEER ENTERPRISE

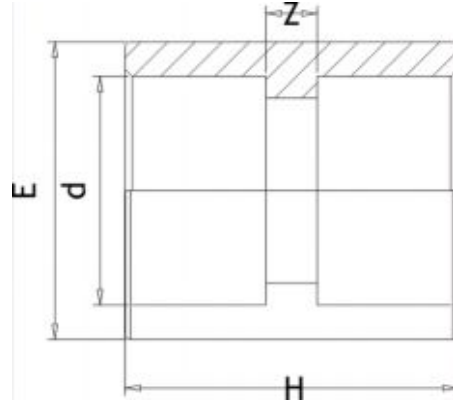
101, Raudat Tahera Street, Mumbai - 400 003, India.

Tel : (91-22) 2347 2534 Telefax : (91-22) 2347 0325

E-mail: [pionlace@vsnl.com](mailto:pionlace@vsnl.com), [pioneerfitting@yahoo.com](mailto:pioneerfitting@yahoo.com)

Website: [www.instrumentation-fittings.com](http://www.instrumentation-fittings.com)

### PP / ISO. PP / PVDF Couplings Ends : Socket Weld



PN -10

Size (OD)	E	d	H	Z
20 MM	31	20	35	7
25 MM	36	25	39	7
32 MM	44	32	43	7
50 MM	66	50	54	8
63 MM	82	63	62	8
90 MM	112	90	81	10
110 MM	135	110	96	12
160 MM	188	160	120	15



ISO 9001:2008 Certified

## PIONEER ENTERPRISE

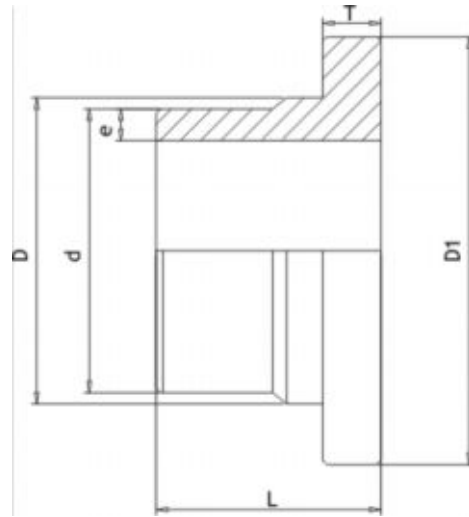
101, Raudat Tahera Street, Mumbai - 400 003, India.

Tel : (91-22) 2347 2534 Telefax : (91-22) 2347 0325

E-mail: [pionlace@vsnl.com](mailto:pionlace@vsnl.com), [pioneerfitting@yahoo.com](mailto:pioneerfitting@yahoo.com)

Website: [www.instrumentation-fittings.com](http://www.instrumentation-fittings.com)

### PVDF Stud Ends (LNPE) Ends : Butt Weld



Size (OD)/d	e	D	D1	L	T
20 MM	2.5	26	45	30	6
25 MM	2.5	31	55	30	7
32 MM	3	36	60	30	7
40 MM	3	49	75	50	8
53 MM	3.5	59	80	50	8
63 MM	3.2	69	95	50	9
75 MM	4	84	119	50	10
90 MM	4.5	99	130	80	11
110 MM	6	119	158	80	12
140 MM	7.5	150	188	80	15
160 MM	8.5	170	205	118	16
225 MM	9	235	269	100	20



ISO 9001:2008 Certified

## PIONEER ENTERPRISE

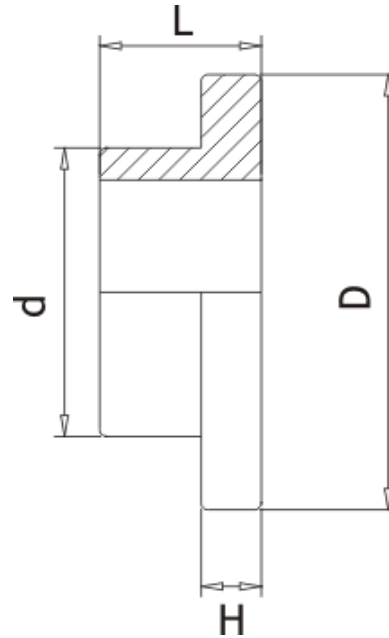
101, Raudat Tahera Street, Mumbai - 400 003, India.

Tel : (91-22) 2347 2534 Telefax : (91-22) 2347 0325

E-mail: [pionlace@vsnl.com](mailto:pionlace@vsnl.com), [pioneerfitting@yahoo.com](mailto:pioneerfitting@yahoo.com)

Website: [www.instrumentation-fittings.com](http://www.instrumentation-fittings.com)

### PP / ISO. PP / PVDF Stud Ends (SNPE)



Size (OD)	d	D	L	H
20 MM	20	37	25	8
25 MM	25	54	33	6
32 MM	32	60	30	8
50 MM	50	75	30	10
63 MM	63	95	35	12
75 MM	75	105	30	14
90 MM	90	123	27	14
110 MM	110	155	30	14
160 MM	160	203	38	18
225 MM	225	268	42	25



ISO 9001:2008 Certified

## PIONEER ENTERPRISE

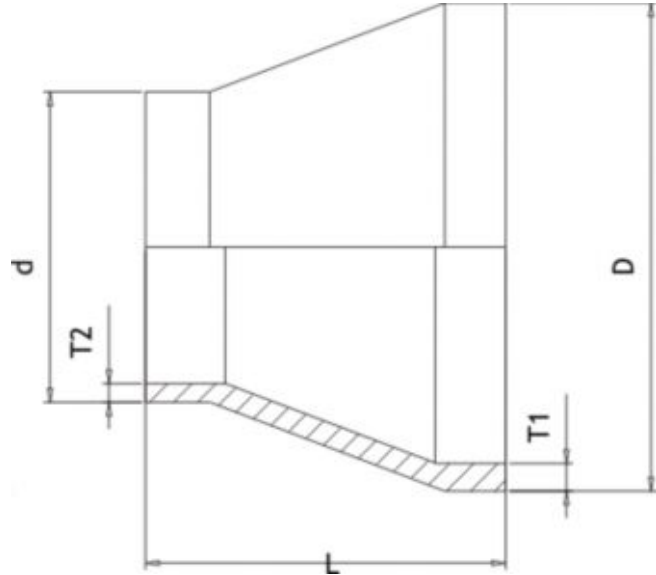
101, Raudat Tahera Street, Mumbai - 400 003, India.

Tel : (91-22) 2347 2534 Telefax : (91-22) 2347 0325

E-mail: [pioneer@vsnl.com](mailto:pioneer@vsnl.com), [pioneerfitting@yahoo.com](mailto:pioneerfitting@yahoo.com)

Website: [www.instrumentation-fittings.com](http://www.instrumentation-fittings.com)

### PP / ISO. PP / PVDF Concentric Reducers



Size in pipe OD	Size in NB	D-d	T1	T2	L
32X25	25X20	32-25	3.5	2.5	45
50X40	40X32	50-40	5	4	52
63X32	50X25	63-32	6	3.5	68
63X50	50X40	63-50	6	5	68
110X63	100X50	110-63	10	6	120
160X110	150X100	160-110	15	10	120
315X225	300X200	315-225	13	18	148
400X280	400X250	400-280	17	25	148
450X315	450X300	450-315	20	26	148



ISO 9001:2008 Certified

## PIONEER ENTERPRISE

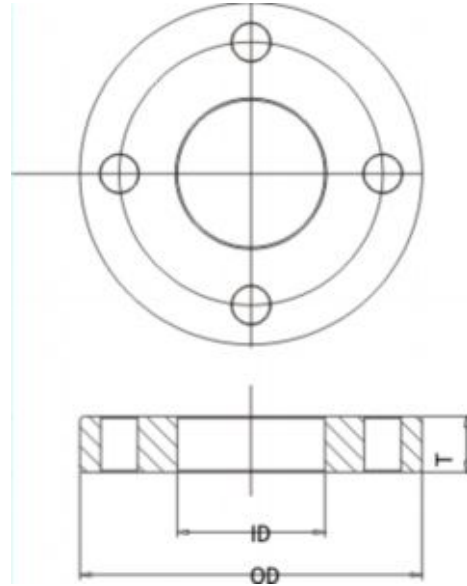
101, Raudat Tahera Street, Mumbai - 400 003, India.

Tel : (91-22) 2347 2534 Telefax : (91-22) 2347 0325

E-mail: [pionlace@vsnl.com](mailto:pionlace@vsnl.com), [pioneerfitting@yahoo.com](mailto:pioneerfitting@yahoo.com)

Website: [www.instrumentation-fittings.com](http://www.instrumentation-fittings.com)

### PP / ISO. PP / PVDF Flanges Slip On & Pipe Bore



Size in Pipe OD	Size in NB	ID	OD	T
20	15	20	95	16
25	20	25	114	16
32	25	32	120	17
50	40	50	140	17
63	50	63	165	21
75	65	75	199	22
90	80	90	199	22
110	100	110	230	22
140	125	140	254	25
160	150	160	305	25
225	200	225	343	30
315	300	315	483	30



ISO 9001:2008 Certified

## PIONEER ENTERPRISE

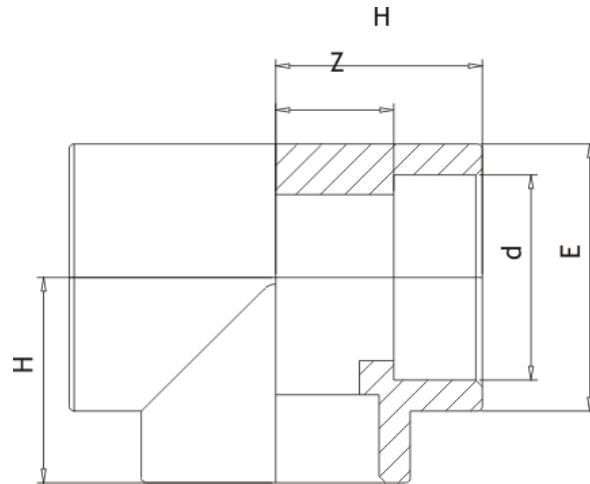
101, Raudat Tahera Street, Mumbai - 400 003, India.

Tel : (91-22) 2347 2534 Telefax : (91-22) 2347 0325

E-mail: [pionlace@vsnl.com](mailto:pionlace@vsnl.com), [pioneerfitting@yahoo.com](mailto:pioneerfitting@yahoo.com)

Website: [www.instrumentation-fittings.com](http://www.instrumentation-fittings.com)

### PP / ISO. PP / PVDF Equal Tees Ends: Socket Weld



Size (OD)	E	d	H	Z
20 MM	26	20	29	17
25 MM	32	25	34	20
32 MM	42	32	46	24
40 MM	53	40	40	22
50 MM	63	50	61	30
36 MM	78	63	62	36
75 MM	91	75	75	43
90 MM	107	90	88	53
110 MM	128	110	104	69
160 MM	190	160	140	100



ISO 9001:2008 Certified

## PIONEER ENTERPRISE

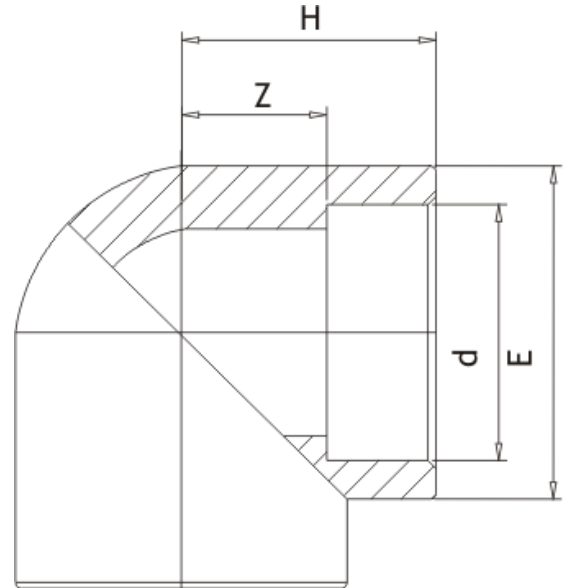
101, Raudat Tahera Street, Mumbai - 400 003, India.

Tel : (91-22) 2347 2534 Telefax : (91-22) 2347 0325

E-mail: [pionlace@vsnl.com](mailto:pionlace@vsnl.com), [pioneerfitting@yahoo.com](mailto:pioneerfitting@yahoo.com)

Website: [www.instrumentation-fittings.com](http://www.instrumentation-fittings.com)

### PP / ISO. PP / PVDF Elbows Ends: Socket Weld



Size (OD)	E	d	H	Z
20 MM	26	20	27	15
25 MM	33	25	32	16
32 MM	44	32	38	20
40 MM	53	40	40	22
50 MM	67	50	49	25
36 MM	83	63	64	36
75 MM	91	75	75	43
90 MM	111	90	89	57
110 MM	136	110	106	69
160 MM	190	160	162	122