



ISO 9001:2008 Certified

PIONEER ENTERPRISE

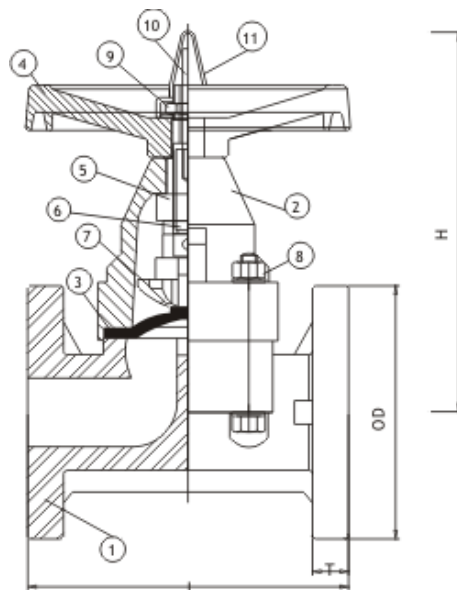
101, Raudat Tahera Street, Mumbai - 400 003, India.

Tel : (91-22) 2347 2534 Telefax : (91-22) 2347 0325

E-mail: pionlace@vsnl.com, pioneerfitting@yahoo.com

Website: www.instrumentation-fittings.com

Diaphragm Valves - Advance version



Dimension Table Rating: 150 Class

Size (NB)	L ± 3	OD	H	T
15 mm	120	95	95	17
20 mm*	150	120	150	17
25 mm*	150	120	150	17
40 mm	178	140	205	18
50 mm	213	160	215	19
65 mm**	280	200	285	24
80 mm	280	200	285	24

Material Specification

NO.	DESCRIPTION	QTY.	MATERIAL
1	BODY	1	PP / ISO.PP/ PPH/ PVDF
2	BONNET	1	CI/CS EPOXY PAINTED
3	BOLTS & NUTS	4	MS GALVANIZED / SS-304
4	HAND WHEEL	1	POLYPROPYLENE
5	SLEEVE SPINDLE ASSLY.	1	SS 202 / SS 304 / SS 316
6	COMPRESSOR	1	CAST IRON / CAST STEEL
7	DIAPHRAGM	1	PTFE
8	RUBBER PAD	1	EPDM
9	POSITION INDICATOR	1	PP / PVC
10	INDICATOR CAP	1	POLYCARBONATE
11	HANDWHEEL NUT	1	BRASS

NOTE

* Our standard 25 mm valve with 20 mm flange drilling.

** Our standard 80 mm valve with 65 mm flange drilling.

-Indicator cap from size 25 nb onwards.

- For typical chemical application of caustic chlorine plant triple layer diaphragms are also available.



ISO 9001:2008 Certified

PIONEER ENTERPRISE

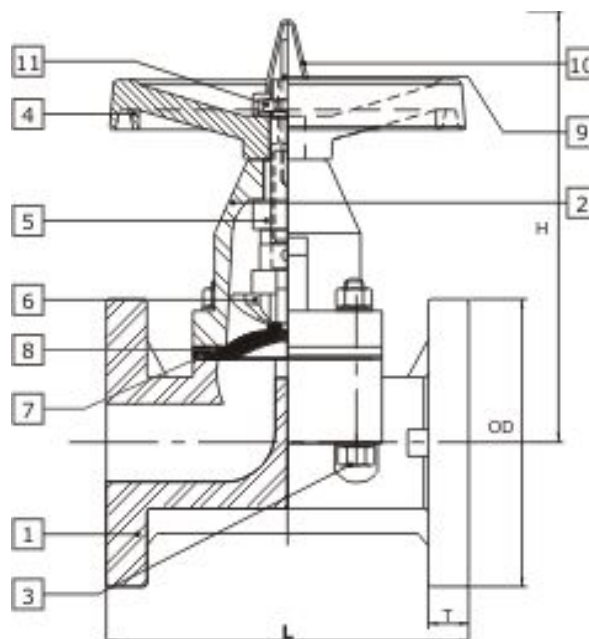
101, Raudat Tahera Street, Mumbai - 400 003, India.

Tel : (91-22) 2347 2534 Telefax : (91-22) 2347 0325

E-mail: pionlace@vsnl.com, pioneerfitting@yahoo.com

Website: www.instrumentation-fittings.com

Diaphragm Valves - Advance version



Dimension Table Rating: 150 Class

Size (NB)	L ± 3	OD	H	T
100 mm	312	288	380	23
150 mm	408	280	525	26

Material Specification

NO.	DESCRIPTION	QTY.	MATERIAL
1	BODY	1	PP / ISO.PP/ PPH/ PVDF
2	BONNET	1	CI EPOXY PAINTED
3	BOLTS & NUTS	-	MS GALVANIZED / SS-304
4	HAND WHEEL	1	POLYPROPYLENE
5	SLEEVE SPINDLE ASSLY.	1	SS 202 / SS 304 / SS 316
6	COMPRESSOR	1	CAST IRON
7	DIAPHRAGM	1	PTFE
8	RUBBER PAD	1	EPDM
9	POSITION INDICATOR	1	PP / PVC
10	INDICATOR CAP	1	POLYCARBONATE
11	HANDWHEEL NUT	1	BR

NOTE

1. Indicator Cap from size 25 nb onwards.

2. For typical chemical applications of Caustic Chlorine plant triple layer diaphragms are also available.



ISO 9001:2008 Certified

PIONEER ENTERPRISE

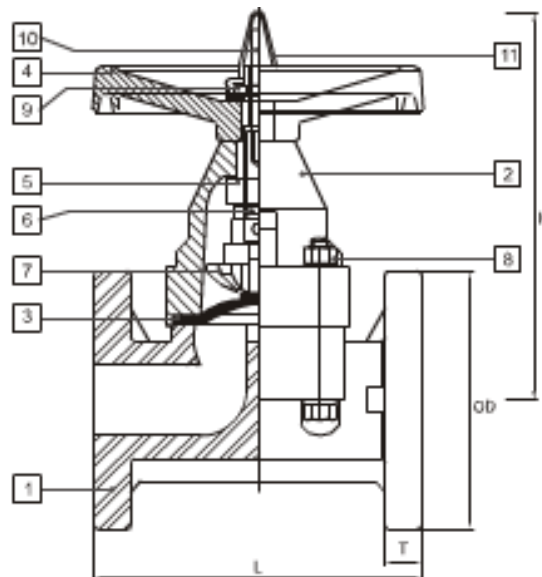
101, Raudat Tahera Street, Mumbai - 400 003, India.

Tel : (91-22) 2347 2534 Telefax : (91-22) 2347 0325

E-mail: pionlace@vsnl.com, pioneerfitting@yahoo.com

Website: www.instrumentation-fittings.com

Diaphragm Valves



Dimension Table

Size (NB)	L ± 3	OD	H	T
15 MM	120	98	95	17
20 MM*	142	120	146	17
25 MM	142	120	146	17
40 MM	178	140	215	18
50 MM	213	160	245	19
65 MM**	255	200	285	24
80 MM	255	200	285	24
100 MM	312	228	345	25

Material Specification

NO.	DESCRIPTION	QTY.	MATERIAL
1	BODY	1	PP / ISO.PP/ PPH/ PVDF
2	BONNET	1	POLYPROPYLENE
3	DIAPHRAGM	1	EPDM / VITON / NEOPRENE / HYPALON / 1MM THK PTFE LINED BACKED WITH EPDM
4	HAND WHEEL	1	POLYPROPYLENE
5	SLEEVE	1	SS 202 / SS 304 / BRASS
6	SPINDLE	1	SS 202 / SS 304 / BRASS
7	COMPRESSOR	1	CAST ALUMINIUM / CI
8	FASTENERS	-	SS-304 / SS-316 / MS GALVANISED
9	HAND WHEEL NUT	1	BRASS
10	POSITION INDICATOR	1	PP / PVC
11	INDICATOR CAP	1	POLYCARBONATE

NOTE

Size 15mm is non indicating type

* Our standard 25 mm valve with 20 mm flange drilling.

** Our standard 80 mm valve with 65 mm flange drilling.



ISO 9001:2008 Certified

PIONEER ENTERPRISE

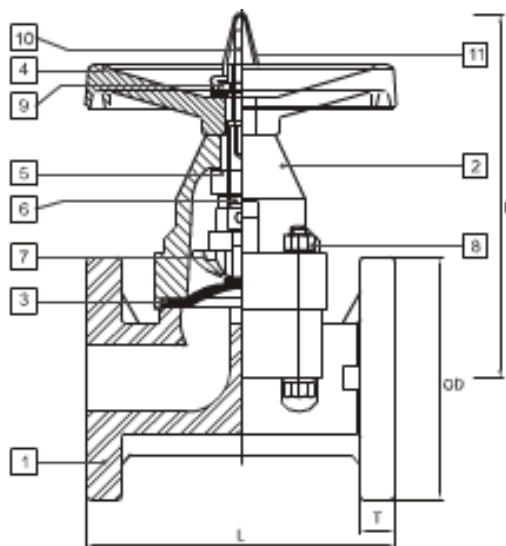
101, Raudat Tahera Street, Mumbai - 400 003, India.

Tel : (91-22) 2347 2534 Telefax : (91-22) 2347 0325

E-mail: pionlace@vsnl.com, pioneerfitting@yahoo.com

Website: www.instrumentation-fittings.com

Diaphragm Valves



Dimension Table

Size (NB)	L ± 3	OD	H	T
150 MM	408	280	512	26

Material Specification

NO.	DESCRIPTION	QTY.	MATERIAL
1	BODY	1	PP / ISO.PP/ PVDF / ETFE
2	BONNET	1	PP / ISO.PP/ PVDF / ETFE
3	DIAPHRAGM	1	EPDM / VITON / NEOPRENE / HYPALON / 1MM THK PTFE LINED BACKED WITH EPDM
4	HAND WHEEL	1	POLYPROPYLENE
5	SLEEVE	1	SS 202 / SS 304 / BRASS
6	SPINDLE	1	SS 202 / SS 304 / BRASS
7	COMPRESSOR	1	CAST ALUMINIUM / CI
8	FASTENERS	-	SS-304 / SS-316 / MS GALVANISED
9	HAND WHEEL NUT	1	BRASS
10	POSITION INDICATOR	1	PP / PVC
11	INDICATOR CAP	1	POLYCARBONATE



ISO 9001:2008 Certified

PIONEER ENTERPRISE

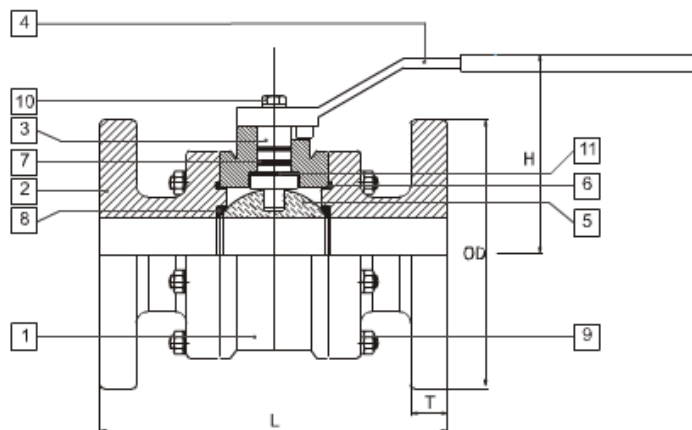
101, Raudat Tahera Street, Mumbai - 400 003, India.

Tel : (91-22) 2347 2534 Telefax : (91-22) 2347 0325

E-mail: pionlace@vsnl.com, pioneerfitting@yahoo.com

Website: www.instrumentation-fittings.com

Ball Valve Flanged End



Dimension Table

Size (NB)	L ± 3	OD	H	T
15 MM	132	95	70	17
20 MM	138	114	80	17
25 MM	158	120	100	17
40 MM	182	140	105	17
50 MM	212	165	120	19
65 MM	238	180	133	22
80 MM	255	203	145	23
100 MM	298	230	175	23
150 MM	415	305	253	30

Material Specification

NO.	DESCRIPTION	QTY.	MATERIAL
1	BODY	1	PP / ISO.PP/ PVDF / ETFE
2	END PIECE	2	PP / ISO.PP/ PVDF / ETFE
3	SPINDLE	1	EN-8 INSERTED PP/ ISO.PP / PVDF / ETFE LINED
4	HANDLE	1	MS EPOXY COATED WITH FLEXIBLE PVC SLEEVE
5	BALL	1	PP / ISO. PP / PVDF / ETFE
6	FLANGE SEAL	2	EPDM / VITON / PTFE / NEOPRENE
7	SPINDLE SEAL	2	EPDM / VITON / PTFE / NEOPRENE
8	SEAT	2	PTFE
9	FASTENERS	-	MS GALVANISED / SS-304 / SS-316
10	SPINDLE BOLT	1	MS GALVANISED / SS-304 / SS-316
11	SPINDLE BUSH	1	PTFE



ISO 9001:2008 Certified

PIONEER ENTERPRISE

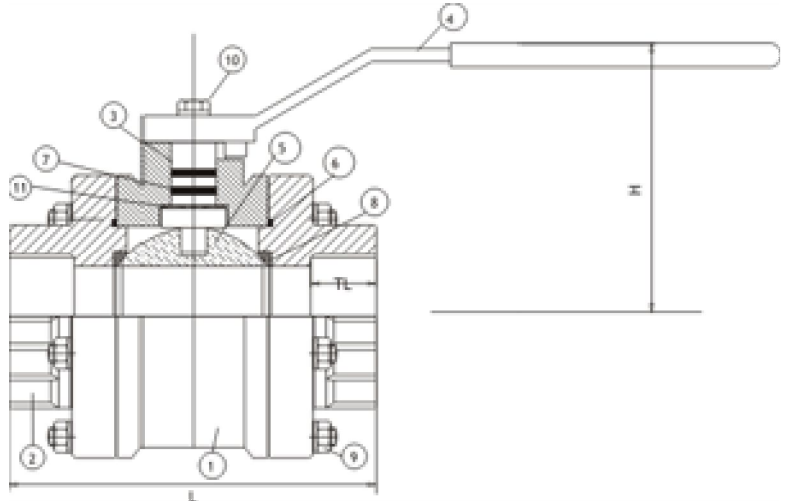
101, Raudat Tahera Street, Mumbai - 400 003, India.

Tel : (91-22) 2347 2534 Telefax : (91-22) 2347 0325

E-mail: pionlace@vsnl.com, pioneerfitting@yahoo.com

Website: www.instrumentation-fittings.com

Ball Valve Threaded End



Dimension Table

Size (NB)	L ± 3	OD	H	T
15 MM	105	20	70	
20 MM	110	25	80	NTP.
25 MM	135	25	100	OR
40 MM	132	25	105	BSP.
50 MM	160	30	12	

Material Specification

NO.	DESCRIPTION	QTY.	MATERIAL
1	BODY	1	PP / ISO.PP/ PVDF / ETFE
2	END PIECE	2	PP / ISO.PP/ PVDF / ETFE
3	SPINDLE	1	EN-8 INSERTED PP/ ISO.PP / PVDF / ETFE LINED
4	HANDLE	1	MS EPOXY COATED WITH FLEXIBLE PVC SLEEVE
5	BALL	1	PP / ISO. PP / PVDF / ETFE
6	FLANGE SEAL	2	EPDM / VITON / PTFE / NEOPRENE
7	SPINDLE SEAL	2	EPDM / VITON / PTFE / NEOPRENE
8	SEAT	2	PTFE
9	FASTENERS	-	MS GALVANISED / SS-304 / SS-316
10	SPINDLE BOLT	1	MS GALVANISED / SS-304 / SS-316
11	SPINDLE BUSH	1	PTFE



ISO 9001:2008 Certified

PIONEER ENTERPRISE

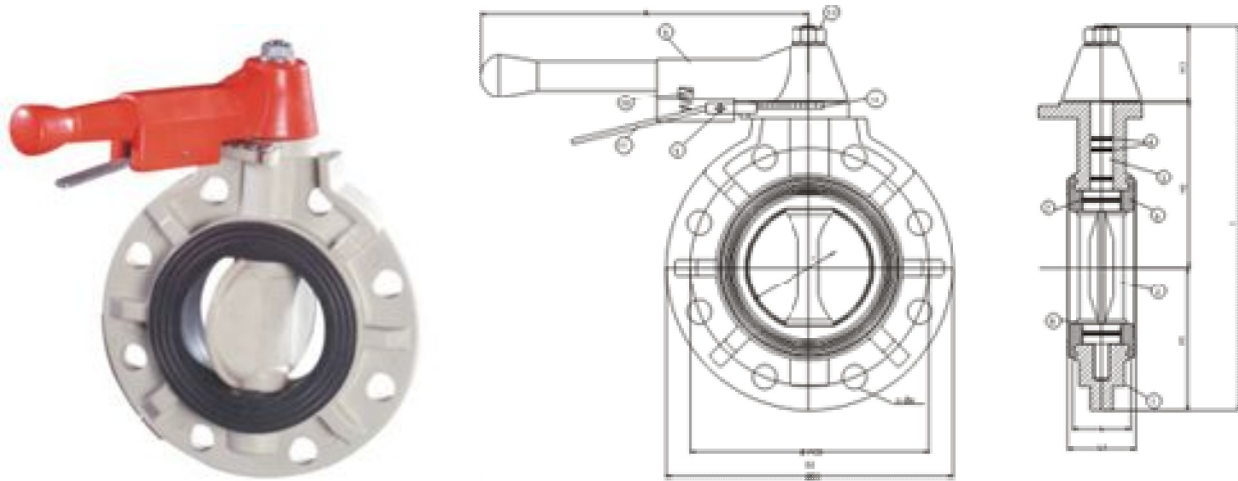
101, Raudat Tahera Street, Mumbai - 400 003, India.

Tel : (91-22) 2347 2534 Telefax : (91-22) 2347 0325

E-mail: pionlace@vsnl.com, pioneerfitting@yahoo.com

Website: www.instrumentation-fittings.com

Butterfly Valve Lever Type



Dimension Table

Size (NB)	D1	D2	D3	0e	n	L	L1	H1	H2	H3	I	K
50 MM	51	121	160	19	4	35	42	83	102	68	253	220
65 MM	65	140	182	19	4	30	42	91	108	61	260	215
80 MM	80	152	200	19	4	37	46	100	118	68	286	220
100 MM	100	191	229	18	8	46	54	115	132	62	309	215
125 MM	130	216	250	22	8	57	66	127	160	96	383	310
150 MM	150	241	280	22	8	59	74	140	170	120	430	310
200 MM	200	298	338	22	8	76	88	169	210	96	475	415

Material Specification

NO.	DESCRIPTION	QTY.	MATERIAL
1	BODY	1	PP/ISO. PP /PVDF/UPVC/CPVC
2	DISC	1	PP/ISO. PP /PVDF/UPVC/CPVC
3	STEM	1	SS-410 / SS-304
4	STEM 'O' RING	2	EPDM/VITON
5	HINGE PIN	1	BRASS
6	SEAT	1	EPDM/VITON
7	DISC 'O' RING	2	EPDM/VITON
8	DISC 'O' RING	2	EPDM/VITON
9	HANDLE	1	ABS/PPGL
10	SPRING	1	SS-304
11	POSITIONER LEVER	1	SS-304
12	POSITIONER PLATE	1	SS-304
13	STEM NUT	1	SS-304



PIONEER ENTERPRISE

101, Raudat Tahera Street, Mumbai - 400 003, India.

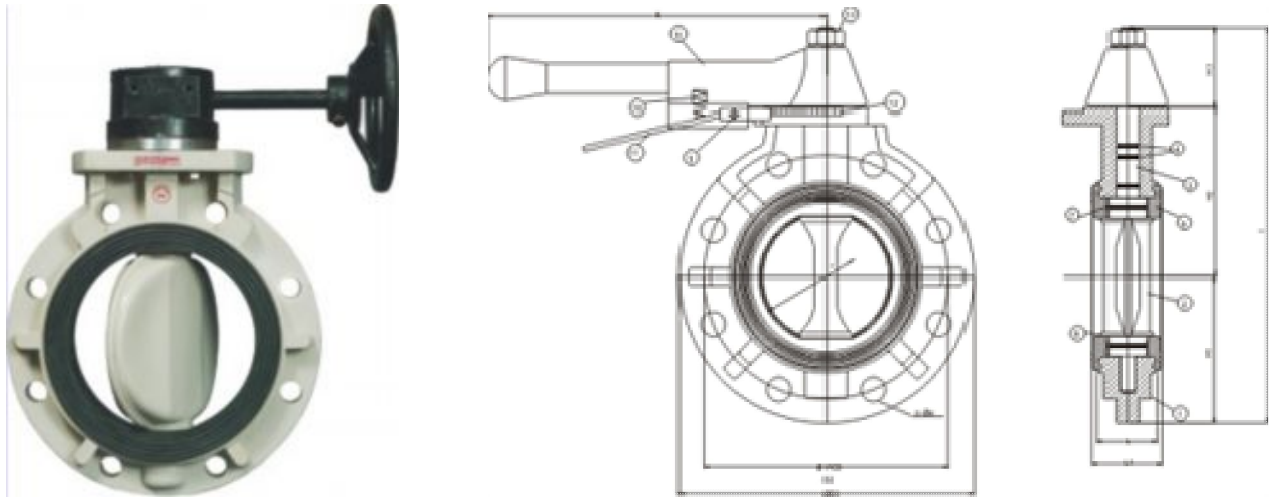
Tel : (91-22) 2347 2534 Telefax : (91-22) 2347 0325

E-mail: pionlace@vsnl.com, pioneerfitting@yahoo.com

Website: www.instrumentation-fittings.com

ISO 9001:2008 Certified

Butterfly Valve Gear Operated



Dimension Table

Size (MM)	D1	D2	D3	Oe	n	L	L1	H1	H2	H3	K
150 MM	150	241	280	22	8	59	74	140	170	70	175
200 MM	200	298	338	22	8	76	88	169	210	70	175
250 MM	255	362	396	25	12	96	111	198	233	70	175
300 MM	312	432	478	2	12	116	132	239	289	103	212
350 MM	258	476	514	28	12	116	132	257	305	103	212
400 MM	398	540	594	28	16	153	169	297	353	103	212
450 MM	451	578	634	32	16	166	181	317	365	121	269
500 MM	500	635	704	32	20	171	190	352	405	121	330
600 MM	600	749	805	35	20	191	209	403	460	121	330

Material Specification

NO.	DESCRIPTION	QTY.	MATERIAL
1	BODY	1	PP/ISO. PP /PVDF/UPVC/CPVC
2	SEAT	1	EPDM / VITON
3	DISC	1	PP/ISO. PP /PVDF/UPVC/CPVC
4	DISC 'O' RING	2	EPDM/VITON
5	DISC 'O' RING	2	EPDM/VITON
6	STEM	1	SS-410 / SS-304
7	STEM 'O' RING	2	EPDM/VITON
8	GEAR BOX	1	CAST IRON EPOXY PAINTED
9	GEAR BOX CAP	1	CAST IRON EPOXY PAINTED
10	ADJUSTABLE BOLT	2	SS-304
11	INDICATOR PLATE	1	CAST IRON EPOXY PAINTED
12	FASTENERS	-	MS GALVANISED / SS-304
13	HAND WHEEL	1	CAST IRON EPOXY PAINTED



ISO 9001:2008 Certified

PIONEER ENTERPRISE

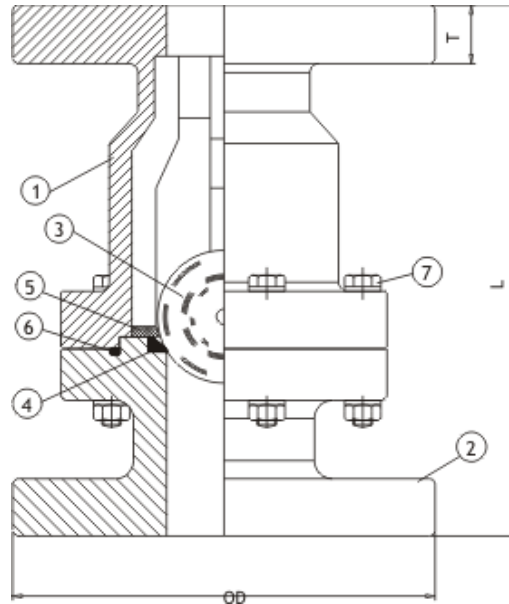
101, Raudat Tahera Street, Mumbai - 400 003, India.

Tel : (91-22) 2347 2534 Telefax : (91-22) 2347 0325

E-mail: pionlace@vsnl.com, pioneerfitting@yahoo.com

Website: www.instrumentation-fittings.com

Ball Type Check Valve



Dimension Table

Size (NB)	L ± 3	OD	T
25 MM	140	120	17
40 MM	175	140	17
50 MM	212	165	19
65 MM	245	203	23
80 MM	245	203	23
100 MM	300	230	23
150 MM	355	280	29

Material Specification

NO.	DESCRIPTION	QTY.	MATERIAL
1	BODY	1	PP / ISO.PP/ PVDF / ETFE
2	END PIECE	1	PP / ISO.PP/ PVDF / ETFE
3	BALL	1	PP / ISO.PP/ PVDF / ETFE
4	SEAT	1	EPDM / VITON / PTFE
5	SEAT PAD	1	PP / ISO.PP/ PVDF / ETFE
6	BODY SEAL	1	EPDM / VITON / PTFE / NEOPRENE
7	FASTENERS	-	MS GALVANISED / SS-304 / SS-316



ISO 9001:2008 Certified

PIONEER ENTERPRISE

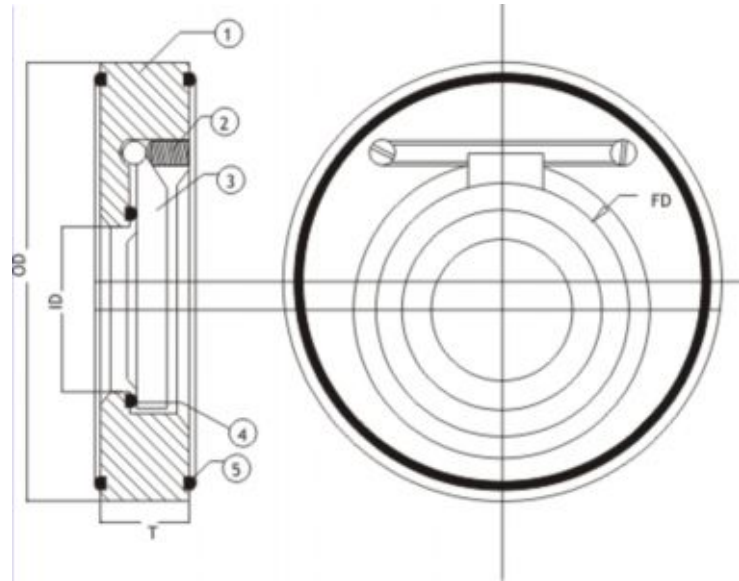
101, Raudat Tahera Street, Mumbai - 400 003, India.

Tel : (91-22) 2347 2534 Telefax : (91-22) 2347 0325

E-mail: pioneer@vsnl.com, pioneerfitting@yahoo.com

Website: www.instrumentation-fittings.com

Swing Check Valves Wafer Type



Dimension Table

Size (NB)	L ± 3	OD	FD	T
100 MM	168	68	85	35
150 MM	216	80	110	40
200 MM	272	110	144	40

Material Specification

NO.	DESCRIPTION	QTY.	MATERIAL
1	BODY	1	PP / ISO.PP/ PVDF
2	FLAP SCREW	1	PP / ISO.PP/ PVDF
3	FLAT	1	PP / ISO.PP/ PVDF
4	FLAP SEAL	1	EPDM / VITON
5	BODY SEAL	1	EPDM / VITON



ISO 9001:2008 Certified

PIONEER ENTERPRISE

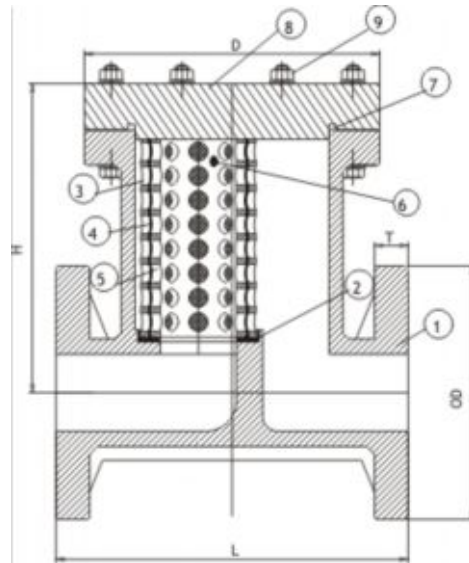
101, Raudat Tahera Street, Mumbai - 400 003, India.

Tel : (91-22) 2347 2534 Telefax : (91-22) 2347 0325

E-mail: pionlace@vsnl.com, pioneerfitting@yahoo.com

Website: www.instrumentation-fittings.com

Strainer Valve



Dimension Table

Size (NB)	L ± 3	OD	H	T	D
50 MM	230	165	190	19	195
80 MM	310	203	235	25	245
100 MM	352	230	290	26	310
150* MM	650	280	570	34	450

Material Specification

NO.	DESCRIPTION	QTY.	MATERIAL
1	SHELL	1	PP / ISO.PP/ PVDF
2	SEAT	1	25% GLASS FILLED PTFE
3	OUTER TUBE	1	PP / ISO.PP/ PVDF
4	FILTER WEB	1	PP / ETFE
5	INNER TUBE	1	PP / ISO.PP / PVDF
6	LOCK PIN	1	25% GLASS FILLED PTFE
7	COVER SEAL	1	EPDM/VITON/NEOPRENE/PTFE
8	STRAINER COVER	1	PP / ISO.PP / PVDF
9	FASTENERS	-	MS GALVANISED / SS-304 / SS-316

NOTE

* Larger size Strainers can be provided upon request in fabricated type construction.



ISO 9001:2008 Certified

PIONEER ENTERPRISE

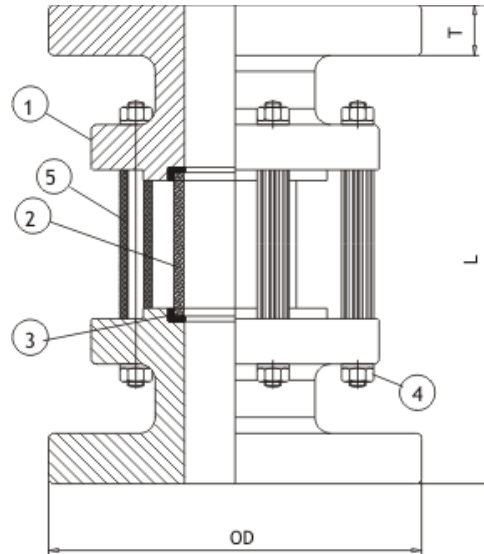
101, Raudat Tahera Street, Mumbai - 400 003, India.

Tel : (91-22) 2347 2534 Telefax : (91-22) 2347 0325

E-mail: pionlace@vsnl.com, pioneerfitting@yahoo.com

Website: www.instrumentation-fittings.com

Manual Sight Glass



Dimension Table

Size (NB)	L ± 3	OD	T
25 MM	162	120	17
40 MM	180	140	17
50 MM	212	165	19
65 MM	258	203	23
80 MM	258	203	23
100 MM	298	230	23
150 MM	375	280	29

Material Specification

NO.	DESCRIPTION	QTY.	MATERIAL
1	END PIECE	1	PP / ISO.PP/ PVDF /ETFE
2	GLASS TUBE	1	BOROSIL
3	SEAT	1	EPDM / VITON /NEOPRENE/ PTFE
4	STUDS & NUTS	1	MS GALVENISED / SS-304 / SS-316
5	STUD SLEEVE	1	PVC

NOTE:

Specisl size can be provided upon request.

Our Standard BO NB Valve with G5 NB PCD drilling on flanges.



ISO 9001:2008 Certified

PIONEER ENTERPRISE

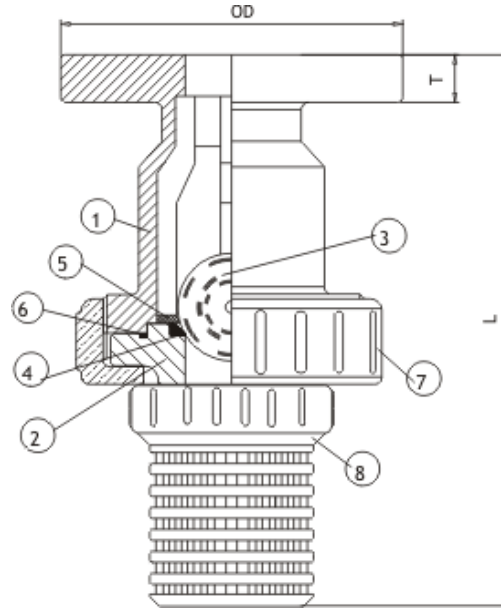
101, Raudat Tahera Street, Mumbai - 400 003, India.

Tel : (91-22) 2347 2534 Telefax : (91-22) 2347 0325

E-mail: pionlace@vsnl.com, pioneerfitting@yahoo.com

Website: www.instrumentation-fittings.com

Foot Valve



Dimension Table

Size (NB)	L ± 3	OD	T
25 MM	180	120	17
40 MM	230	140	17
50 MM	265	165	19
65 MM+	315	203	23
80 MM	315	203	23
100 MM	365	230	23
150 MM	556	280	29

Material Specification

NO.	DESCRIPTION	QTY.	MATERIAL
1	BODY	1	PP / ISO.PP/ PVDF /ETFE
2	SOCKET	1	PP / ISO.PP/ PVDF /ETFE
3	BALL	1	PP / ISO.PP/ PVDF /ETFE
4	SEAT	1	EPDM / VITON /PTFE
5	SEAT PAD	1	PP / ISO.PP/ PVDF /ETFE
6	BODY SEAL	1	EPDM / VITON / PTFE / NEOPRENE
7	COVER NUT	1	PP / ISO.PP/ PVDF /ETFE
8	STRAINER	1	PP / ISO.PP/ PVDF /ETFE



ISO 9001:2008 Certified

PIONEER ENTERPRISE

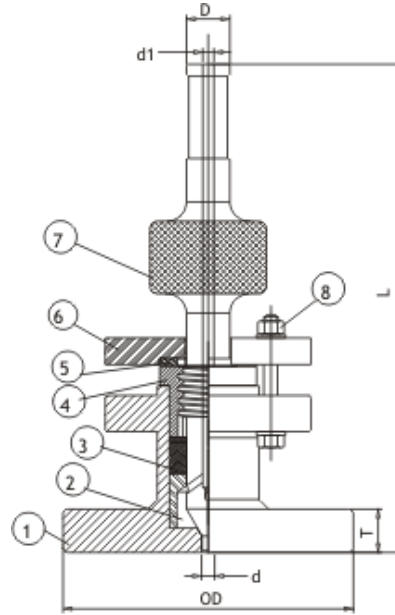
101, Raudat Tahera Street, Mumbai - 400 003, India.

Tel : (91-22) 2347 2534 Telefax : (91-22) 2347 0325

E-mail: pionlace@vsnl.com, pioneerfitting@yahoo.com

Website: www.instrumentation-fittings.com

Sampling Valve Flanged Type



Dimension Table

Size (NB)	L ± 3	OD	D	d	d1	T
25 MM	200	120	18	6	6	17

Material Specification

NO.	DESCRIPTION	QTY.	MATERIAL
1	BODY	1	PP / ISO.PP/ PVDF /ETFE
2	MATERIAL PORT	1	PTFE
3	CHEVRON PACKING	1	PTFE
4	SOCKET	1	PTFE
5	LOCK PLATE	1	SS-304
6	COMPANION FLANGE	1	SS-304
7	SPINDLE	1	PTFE
8	FASTENERS	-	SS-304



ISO 9001:2008 Certified

PIONEER ENTERPRISE

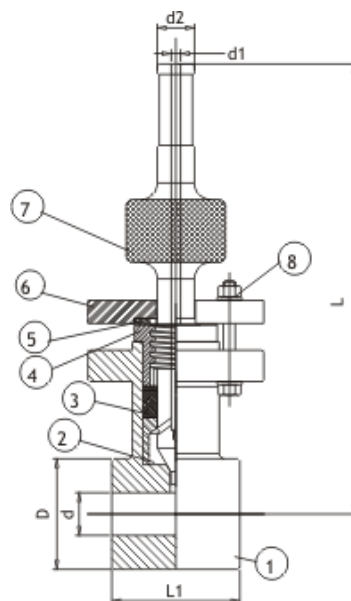
101, Raudat Tahera Street, Mumbai - 400 003, India.

Tel : (91-22) 2347 2534 Telefax : (91-22) 2347 0325

E-mail: pioneer@vsnl.com, pioneerfitting@yahoo.com

Website: www.instrumentation-fittings.com

Sampling Valve Sandwich Type



Dimension Table

Size (NB)	L ± 3	L1	D	d	d1	d2
25 MM	212	62	52	22	6	18

Material Specification

NO.	DESCRIPTION	QTY.	MATERIAL
1	BODY	1	PP / ISO.PP/ PVDF /ETFE
2	MATERIAL PORT	1	PTFE
3	CHEVRON PACKING	1	PTFE
4	SOCKET	1	PTFE
5	LOCK PLATE	1	SS-304
6	COMPANION FLANGE	1	SS-304
7	SPINDLE	1	PTFE
8	FASTENERS	-	SS-304



ISO 9001:2008 Certified

PIONEER ENTERPRISE

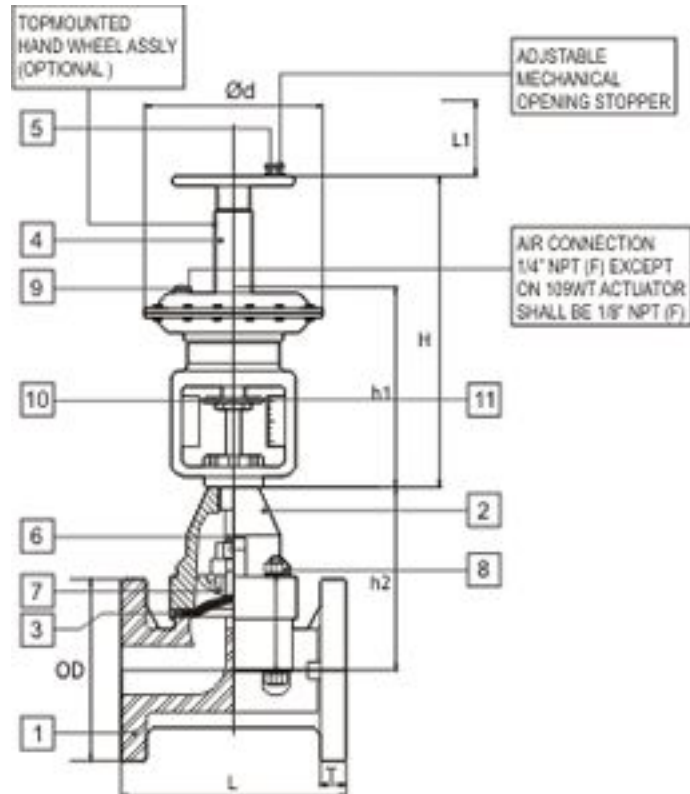
101, Raudat Tahera Street, Mumbai - 400 003, India.

Tel : (91-22) 2347 2534 Telefax : (91-22) 2347 0325

E-mail: pionace@vsnl.com, pioneerfitting@yahoo.com

Website: www.instrumentation-fittings.com

Diaphragm Valves Pneumatically Actuated



Dimension Table

Size (NB)	L ± 3	OD	T	H	h1	h2	d	L1	MODEL NO.
15 MM	120	98	17	280	170	67	110	200	109WT
20 MM	142	120	17	280	170	75	110	200	109WT
25 MM	142	120	17	280	170	75	110	200	109WT
40 MM	78	140	8	430	295	140	185	200	1018WT
50 MM	213	160	19	440	330	165	235	200	1035WT
65 MM	255	200	24	540	315	203	330	250	1002WT
80 MM	255	200	24	540	315	203	330	250	1002WT
100 MM	312	228	25	560	330	255	390	250	1003WT
150 MM	408	280	26	770	470	395	600	310	1005WT

Material Specification

No.	Description	Qty.	Material
1	BODY	1	PP / ISO.PP / PPH / PVDF
2	BONNET	1	PP / CI / CS EPOXY PAINTED
3	DIAPHRAGM	1	EPDM / VITON / NEOPRENE / HYPALON / PTFE BACKED WITH NEOPRENE OR EPDM
4	HAND WHEEL ASSEMBLY	1	CI EPOXY PAINTED
5	AMS	1	MS EPOXY PAINTED
6	SPINDLE	1	SS - 202 / SS-304 / BRASS
7	COMPRESSOR	1	CAST ALUMINIUM / CI
8	FASTENERS	-	SS-304 / SS-316 / MS GALVANISED
9	AIR CONNECTION SOCKET	1	BRASS / SS
10	POSITION INDICATOR	1	BRASS / SS
11	INDICATOR SCALE	1	SS

Notes:

* Our standard 25 NB valve with 20 NB PCD drilling on flanges.

** Our standard 80 NB valve with 65 NB PCD drilling on flanges.

1. Hight H will vary ± 50 MM in all valve sizes.
2. Electrically actuated diaphragm valves can be provided on specific requirements.
3. The above actuators are selected for Action:Air to close (ATC) & Fail : Open